

# SAMEDI 27 XROAD 2 OPEN



## FRAME

Xroad, 6061 T4-T6 alloy, variable thickness hydroformed tubes, Bosch PowerTube battery integration (vertical), integrated cable routing

## SEATCLAMP

Moustache, alloy, 34.9mm

## HEADSET

FSA, No 57B-1

## FORK

SR Suntour, XCM ATB, preload adjustment, 80mm travel

## MOTOR

Bosch, Performance Line, 250W, Smart System, 75Nm

## BATTERY

Bosch, PowerTube 500Wh, vertical, Smart System

## DISPLAY

Bosch, Intuvia 100, Smart System, compact, "Walk Assist"

## CHARGER

Bosch, 4Ah

## RIMS

Moustache, asymmetric, alloy 6061E, welded, 32 holes, 27.5", internal width 23mm

## FRONT HUB

Shimano, 32H, 9x100mm, QR (Quick Release)

## TYRES

Hutchinson, Python 2, 27.5x2.10

## REAR HUB

Shimano, 32H, 9x135mm, QR (Quick Release)

## STEM

Moustache, alloy, adjustable, 90mm

## HANDLEBAR

Moustache, ergonomic, alloy, 680mm, 25° backsweep

## GRIPS

Ergonomic, dual-density

## SADDLE

Selle Royal, Wave

## SEATPOST

Moustache, alloy, 31.6mm, 350mm

## CASSETTE

Shimano, CS-HG201, 9-speed, 11-36T

## CHAIN

KMC, X9, 9-speed, 120 links

## REAR DERAILLEUR

Shimano, Altus, RD-R2000-SGS, 9-speed

## SHIFTER

Shimano, Altus, SL-M2010-R, 9-speed

## CRANKS

Moustache, aluminium, 170mm

## CHAINRING

Narrow-Wide, 40 teeth

## PEDALS

Resin platform with reflectors

## FRONT BRAKE

Shimano, MT200 or Alhonga HJ-472, hydraulic disc brake

## FRONT ROTOR

Shimano, 180mm or Alhonga, 180mm

## REAR BRAKE

Shimano, MT200 or Alhonga HJ-472, hydraulic disc brake

## REAR ROTOR

Shimano, 160mm or Alhonga, 160mm

## FRONT LIGHT

AXA, Blueline, 30 lux, powered by main battery

## REAR LIGHT

Spanninga, Presto2Guard, powered by main battery

## MUDGUARD

Moustache, alloy, double wall design, w/alloy stays

## CARRIER

Moustache, alloy, removable QL3 lateral fixation, MIK HD platform

## KICKSTAND

Moustache, adjustable

## AUTONOMY

116km

## GVWR

135kg

## WEIGHT

25.5kg

## SIZES

S (1,49 - 1,61m) M (1,59 - 1,76m) L (1,74 - 1,90m)

## COLORS

Petrol Blue glossy

## CONDITIONS

Maximum distance, calculated for a 70kg rider in ideal conditions. Estimate your battery range .

## WARRANTY

5 years frame and fork Moustache Bikes - 2 years motor, battery

## REMOTE

Bosch, LED remote Bluetooth

## BOSCH CONNECT MODULE (BCM)

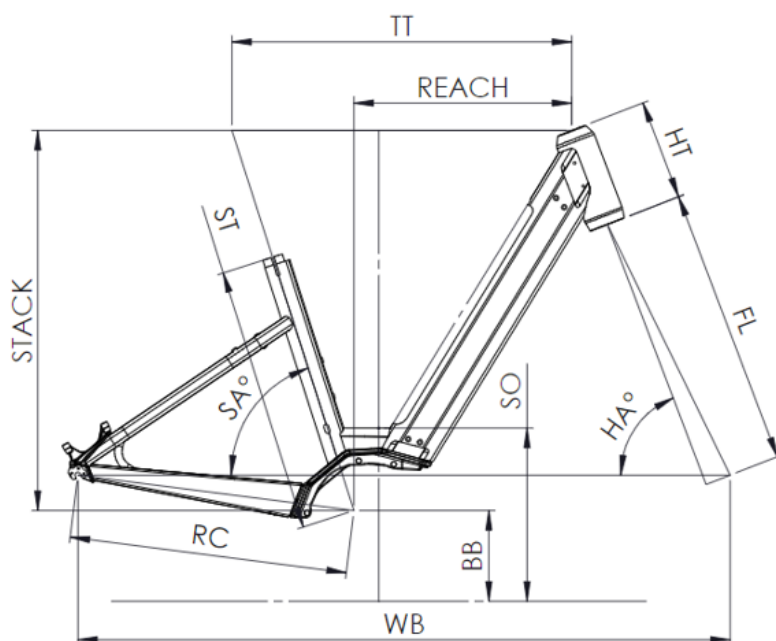
Bosch Connect Module (BCM) compatible, with eBike Alarm function



Scan to find this bike online

**MOUSTACHE**

# SAMEDI 27 XROAD 2 OPEN



ST - TAILLE / SIZE	mm	390 (S)	450 (M)	510 (L)
Taille utilisateur / User size	m	1,49 - 1,61	1,59 - 1,76	1,74 - 1,90
TT - Tube supérieur / Top tube	mm	550	575	600
RC - Bases / Rear center	mm	470	470	470
HT - Douille de direction / Headtube	mm	140	150	160
WB - Empattement / Wheelbase	mm	1092	1110	1128
FL - Longueur de fourche / Fork length	mm	477	477	477
BB - Hauteur de boîtier / BB height	mm	300	300	300
SA - Angle de selle / Seat angle	°	71,4	71,4	71,4
HA - Angle de direction / Head angle	°	67,7	68,1	68,7
Reach	mm	348	366	387
Stack	mm	614	625	637
SO - Enjambement / Standover	mm	688	683	681



Scan to find this bike online

**TOUSTACHE**