

# SAMEDI 27 XROAD 1 OPEN



## FRAME

Xroad, 6061 T4-T6 alloy, variable thickness hydroformed tubes, Bosch PowerTube battery integration (vertical), integrated cable routing

## SEATCLAMP

Moustache, alloy, 34.9mm

## HEADSET

FSA, No 57B-1

## FORK

SR Suntour, XCM ATB, preload adjustment, 80mm travel

## MOTOR

Bosch, Active Line Plus, 250W, 35/50Nm

## BATTERY

Bosch, PowerTube 400Wh, vertical

## DISPLAY

Bosch, Purion - « Walk assist »

## CHARGER

Bosch, 2Ah

## RIMS

Moustache, asymmetric, alloy 6061E, welded, 32 holes, 27.5", internal width 23mm

## FRONT HUB

Shimano, 32H, 9x100mm, QR (Quick Release)

## TYRES

Hutchinson, Python 2, 27.5x2.10

## REAR HUB

Shimano, 32H, 9x135mm, QR (Quick Release)

## STEM

Moustache, alloy, adjustable, 90mm

## HANDLEBAR

Moustache, ergonomic, alloy, 680mm, 25° backsweep

## GRIPS

Ergonomic, dual-density

## SADDLE

Selle Royal, Wave

## SEATPOST

Moustache, alloy, 31.6mm, 350mm

## CASSETTE

Shimano, CS-HG201, 9-speed, 11-36T

## CHAIN

KMC, X9, 9-speed, 120 links

## REAR DERAILLEUR

Shimano, Altus, RD-R2000-SGS, 9-speed

## SHIFTER

Shimano, Altus, SL-M2010-R, 9-speed

## CRANKS

Moustache, aluminium, 170mm

## CHAINRING

Narrow-Wide, 40 teeth

## PEDALS

Resin platform with reflectors

## FRONT BRAKE

Shimano, MT200 or Alhonga HJ-472, hydraulic disc brake

## FRONT ROTOR

Shimano, 180mm or Alhonga, 180mm

## REAR BRAKE

Shimano, MT200 or Alhonga HJ-472, hydraulic disc brake

## REAR ROTOR

Shimano, 160mm or Alhonga, 160mm

## FRONT LIGHT

AXA, Blueline, 30 lux, powered by main battery

## REAR LIGHT

Spanninga, Presto2Guard, powered by main battery

## MUDGUARD

Moustache, alloy, double wall design, w/alloy stays

## CARRIER

Moustache, alloy, removable QL3 lateral fixation, MIK HD platform

## KICKSTAND

Moustache, adjustable

## AUTONOMY

99km

## GVWR

135kg

## WEIGHT

24.7kg

## SIZES

S (1,49 - 1,61m) M (1,59 - 1,76m) L (1,74 - 1,90m)

## COLORS

Pastel Green glossy

## CONDITIONS

Maximum distance, calculated for a 70kg rider in ideal conditions. Estimate your battery range .

## WARRANTY

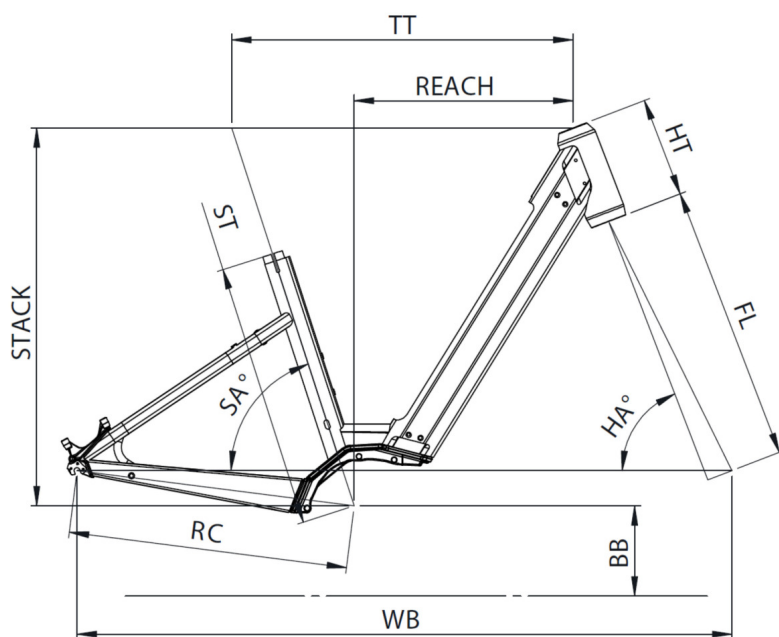
5 years frame and fork Moustache Bikes - 2 years motor, battery



Scan to find this bike online

**{MOUSTACHE**

# SAMEDI 27 XROAD 1 OPEN



TAILLE - ST	mm	390 (S)	450 (M)	510 (L)
Taille utilisateur (à titre indicatif)	m	1,49 - 1,61	1,59 - 1,76	1,74 - 1,90
Tube supérieur (mesure horizontale) - TT	mm	555	580	605
Bases - RC	mm	475	475	475
Douille de direction - HT	mm	170	170	170
Empattement - WB	mm	1109	1118	1143
Longueur de fourche - FL	mm	487	487	487
Hauteur boîtier - BB	mm	298	298	298
Angle de selle - SA	°	71	71	71
Angle de direction - HA	°	67,2	68	68
Reach	mm	336	360	385
Stack	mm	643	648	648



Scan to find this bike online

**{MOUSTACHE**