

J. OFF

JOF113C00000

5 699 €



FRAME

J, aluminium AlSi10Mg T6, one-piece gravity cast, low stepover, increase rigidity thanks to internal ribs, unified rear swingarm, discreet internal cable routing, integrated battery and drive unit

SEATCLAMP

Moustache, alloy, integrated, 34.9mm

HEADSET

Acros, AZF-699, sealed bearings, internal routing, blocklock

SHOCK

Moustache, Magic Grip Control 115, specific Air Shock with 2-position platform and dynamic control of rebound, build-in 165x38mm, 115mm travel

FORK

Marzocchi, Bomber Z2, RAIL, compression sweep adjust, 130mm travel, 15x110mm, Boost, 44mm offset

MOTOR

Bosch, Performance Line, 250W, Smart System, 75Nm

BATTERY

Bosch, PowerTube 625Wh, vertical, Smart System

DISPLAY

Bosch, Kiox 500, Smart System, color screen, customizable screens, sounds, Lock function (optional), « Walk assist »

CHARGER

Bosch, 4Ah

RIMS

Moustache, asymmetric, alloy 6061E, welded, double wall, 32 holes, 29", internal width 30mm, mounted with Tubeless valves & flap, brass nuts with locking "Blue Nylon" insert

FRONT HUB

Shimano, 32H, 15x110mm, thru axle

TYRES

Maxxis, Rekon, 29x2.40, foldable, EXO/TR (Tubeless Ready)

REAR HUB

Shimano, 32H, 9x135mm, QR (Quick Release)

STEM

Moustache, alloy, adjustable, 65mm

HANDLEBAR

Moustache, alloy, 720mm, 12mm rise, 9° backsweep, 5° upsweep

GRIPS

SB3, Race

SADDLE

Selle Royal, Essenza Moderate Men

SEATPOST

EXA, 900i, dropper-post w/remote lever, 31.6mm, 75mm

CASSETTE

Shimano, CUES, CS-LG400 11-speed, 11-50T

CHAIN

Shimano, LG500, 130 links

REAR DERAILLEUR

Shimano, CUES, RD-U6000-GS, 10/11-speed

SHIFTER

Shimano, CUES, SL-U6000-11R, 11-speed

CRANKS

Moustache, aluminium, 170mm

CHAINRING

Narrow-Wide, 38 teeth, chainguard

PEDALS

alloy platform with reflectors

FRONT BRAKE

Alhonga, HJ-572, hydraulic disc, 4 pistons

FRONT ROTOR

Alhonga, 203mm

REAR BRAKE

Alhonga, HJ-572, hydraulic disc

REAR ROTOR

Alhonga, 203mm

FRONT LIGHT

Trelock, Lighthammer, 100 lux, powered by main battery

KICKSTAND

Moustache, adjustable

AUTONOMY

118km

GVWR

140kg

WEIGHT

27.3kg

SIZES

S (1,55 - 1,70m) M (1,65 - 1,85m) L (1,80 - 1,95m)

COLORS

Olive mat

CONDITIONS

Maximum distance, calculated for a 70kg rider in ideal conditions. Estimate your battery range .

WARRANTY

5 years frame and fork Moustache Bikes - 2 years motor, battery

REAR LIGHT

Herrmans, H-Trace Micro, powered by main battery

REMOTE

Bosch, LED remote Bluetooth

BOSCH CONNECT MODULE (BCM)

Bosch Connect Module (BCM) with eBike Alarm function, GPS tracking



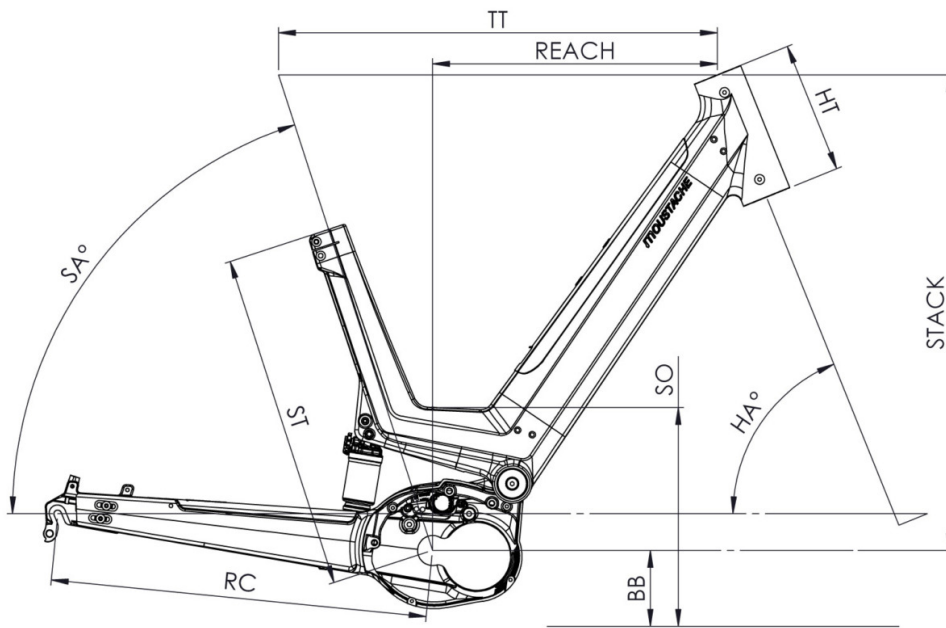
Scan to find this bike online

MOUSTACHE

J. OFF

JOF113C00000

5 699 €



J OFF		
Tailles : S (1,55 - 1,70 m) / M (1,65 - 1,85 m) / L (1,80 - 1,95 m)		
Seat tube	(mm)	ST 460
Top tube	(mm)	TT 600
Chainstay length	(mm)	RC 524
Head tube	(mm)	HT 180
Wheelbase	(mm)	WB 1224
Fork length	(mm)	FL 544
Bottom bracket height	(mm)	BB 344
Seat tube angle	(°)	SA 69.5
Head tube angle	(°)	HA 65.5
Reach	(mm)	359
Stack	(mm)	665
Stand over	(mm)	SO 538



Scan to find this bike online

TROUSTACHE