

J. ALL

JAL113CL0050

5 199 €



FRAME J, aluminium AlSi10Mg T6, one-piece gravity cast, low stepover, increase rigidity thanks to internal ribs, unified rear swingarm, discreet internal cable routing, integrated battery and drive unit	HANDLEBAR Moustache, ergonomic, alloy, 680mm, 25° backsweep	REAR LIGHT Spanninga, Presto2Guard, powered by main battery
SEATCLAMP Moustache, alloy, integrated, 34.9mm	GRIPS SB3, Ergonomic	MUDGUARD Moustache, alloy, double wall design, w/alloy stays, stable and perfect protection thanks to the mudflap
HEADSET Acros, AZF-699, sealed bearings, internal routing, blocklock	SADDLE Selle Royal, Essenza Moderate Men	CARRIER Moustache, alloy, removable QL3 lateral fixation
SHOCK Moustache, Magic Grip Control 115, specific Air Shock with 2-position platform and dynamic control of rebound, build-in 165x38mm, 115mm travel	SEATPOST EXA, 900i, dropper-post w/remote lever, 31.6mm, 75mm	KICKSTAND Moustache, adjustable
FORK SR Suntour, XCR 34 Air Boost 2CR LOR, rebound adjustment & lockout function, 120mm travel	CASSETTE Shimano, CUES, CS-LG400 11-speed, 11-50T	AUTONOMY 116km
MOTOR Bosch, Performance Line, 250W, Smart System, 75Nm	CHAIN Shimano, LG500, 130 links	GVWR 135kg
BATTERY Bosch, PowerTube 500Wh, vertical, Smart System	REAR DERAILLEUR Shimano, CUES, RD-U6000-GS, 10/11-speed	WEIGHT 29kg
DISPLAY Bosch, Kiox 500, Smart System, color screen, customizable screens, sounds, Lock function (optional), « Walk assist »	SHIFTER Shimano, CUES, SL-U6000-11R, 11-speed	SIZES S (1,55 - 1,70m) M (1,65 - 1,85m) L (1,80 - 1,95m)
CHARGER Bosch, 2Ah	CRANKS Moustache, aluminium, 170mm	COLORS Olive mat
RIMS Moustache, asymmetric, alloy 6061E, welded, 32 holes, 27.5", internal width 23mm	CHAINRING Narrow-Wide, 38 teeth, chainguard	CONDITIONS Maximum distance, calculated for a 70kg rider in ideal conditions. Estimate your battery range .
FRONT HUB Shimano, 32H, 15x110mm, thru axle	PEDALS alloy platform with reflectors	WARRANTY 5 years frame and fork Moustache Bikes - 2 years motor, battery
TYRES Schwalbe, Johnny Watts, 27.5x2.60	FRONT BRAKE Alhonga, HJ-472, hydraulic disc	REMOTE Bosch, LED remote Bluetooth
REAR HUB Shimano, 32H, 9x135mm, QR (Quick Release)	FRONT ROTOR Alhonga, 180mm	BOSCH CONNECT MODULE (BCM) Bosch Connect Module (BCM) with eBike Alarm function, GPS tracking
STEM Moustache, alloy, adjustable, 65mm	REAR BRAKE Alhonga, HJ-472, hydraulic disc	
	REAR ROTOR Alhonga, 180mm	
	FRONT LIGHT Trellock, Lighthammer, 100 lux, powered by main battery	



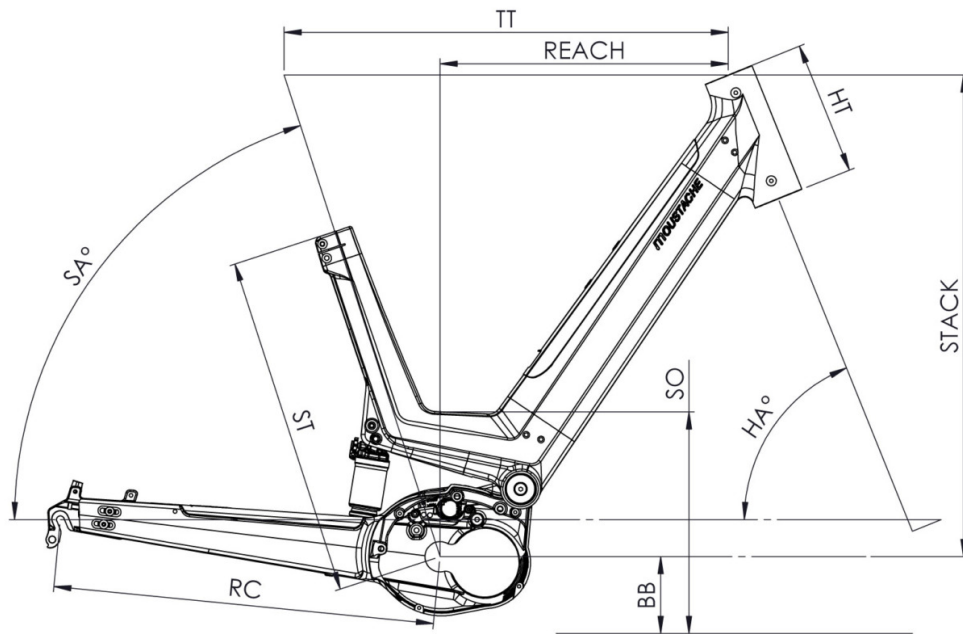
Scan to find this bike online

MOUSTACHE

J. ALL

JAL113CL0050

5 199 €



J ALL		
Tailles : S (1,55 - 1,70 m) / M (1,65 - 1,85 m) / L (1,80 - 1,95 m)		
Seat tube	(mm)	ST 460
Top tube	(mm)	TT 600
Chainstay length	(mm)	RC 515
Head tube	(mm)	HT 180
Wheelbase	(mm)	WB 1210
Fork length	(mm)	FL 527.5
Bottom bracket height	(mm)	BB 327
Seat tube angle	(°)	SA 69.6
Head tube angle	(°)	HA 66
Reach	(mm)	361
Stack	(mm)	661
Stand over	(mm)	SO 522



Scan to find this bike online

TFOUSTACHE